

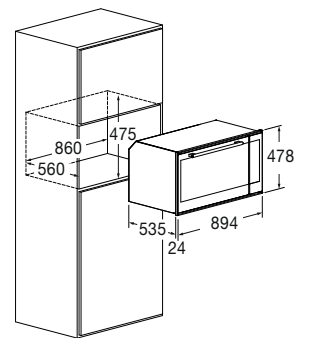


XL 90x48 Multifunction Oven

FCO 9013 TM X



- Stainless steel finish
- 16 functions
- AirFry (oven-frying) function
- Creative Extended controls
- Meat probe
- Fast Pre-Heat BOOSTER
- Soft Closing
- Telescopic rails
- CLEAN assisted cleaning cycle
- 3-pane glass cool-touch door
- Energy Class A+



Features

The control panel has different functions, including preset cooking functions and the possibility to modify the recipes. With the Meat Probe, you can obtain perfect results because it allows you to monitor the cooking progress by measuring the food core temperature. This product comes with the following accessories: two sets of telescopic rails, a Meat Probe, an enamelled tray, a flat rack, a rotisseries kit and an enamelled AirFry tray.



STAINLESS STEEL
 FCO 9013 TM X
 EAN 8019801017362

PLANO

MULTIFUNCTION OVEN 90X48



FCO 9013 TM X	
Type	Electronic multifunction
Finish	Stainless Steel
Interiors: enamelled / other	Ultra Black Piro / -
FEATURES	
Efficiency class	A +
Capacity (litres)	89 L
Forced cooling	•
Functions no.	16
PERFORMANCE	
Max cooking temperature	250 °C
Interior dual convection	-
Assisted cleaning (CLEAN)	•
CONTROLS	
Operating system	Creative Extended
AirFry (oven-frying)	•
Pre-loaded and editable recipes	•
Auto power off	•
Booster	•
Meat probe	•
SAFETY	
Door lock	-
Cool-touch door / no. of glass panes	• / 3
SOFT-CLOSING DOOR	•
ACCESSORIES	
Lighting (Halogen, 20 W) no.	2
Set of telescopic rails no.	2
Trays no. / type	1 / enamelled
Enamelled AirFry trays no.	1
Flat racks no.	1
Rotisserie kit	•
POWER RATING	
Max electrical power (W)	3500 W
Voltage / Frequency (V - Hz)	220 - 240 V; 50 - 60 Hz
Power cord	•
Plug	Schuko
DIMENSIONS	
Width (mm)	894
Height (mm)	478
Depth (mm)	559
Built-In Cut Out (W x H x D) mm	860 x 475 x 560